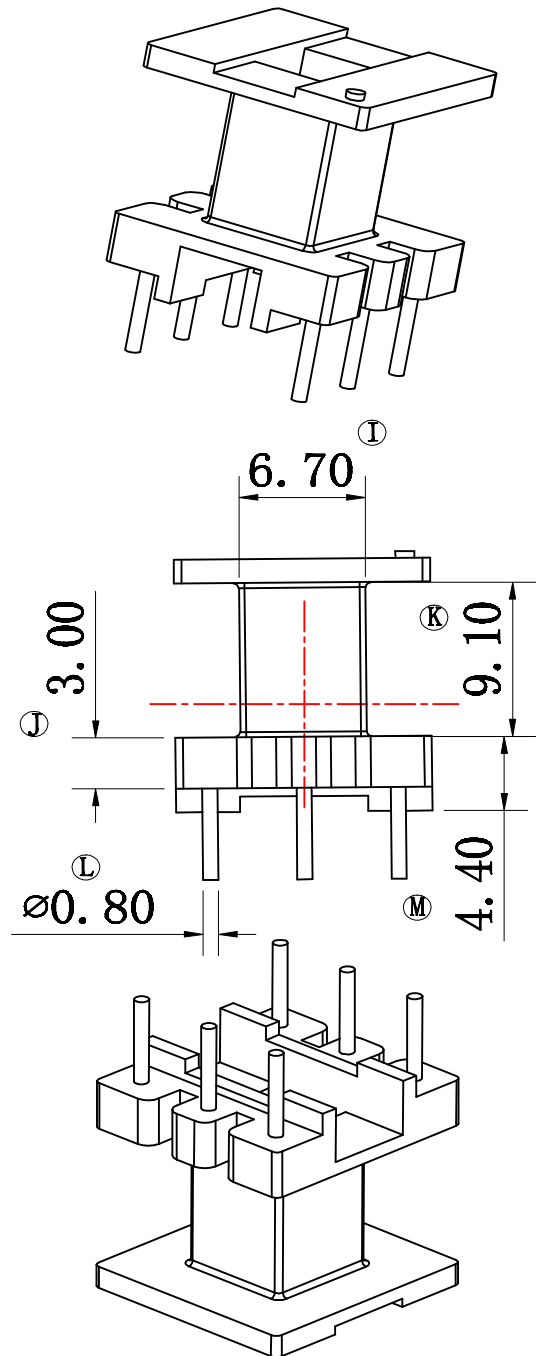
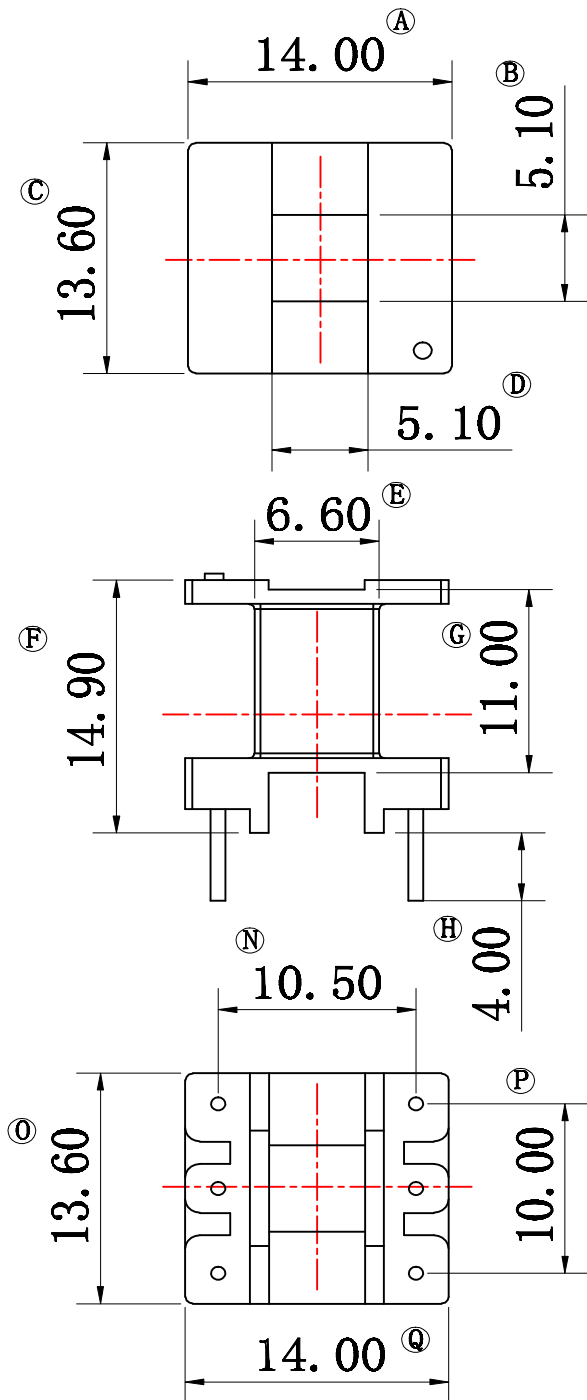


FWB1951-J



| REV | REVISION RECORD | DATE | REV | REVISION RECORD | DATE |
|-----|-----------------|------|-----|-----------------|------|
| A | | | C | | |
| B | | | D | | |

| NAME | EE19 3+3P | MATERIAL | PBT | SCALE | | ANGLE | $\pm 1^\circ$ |
|---|-----------|---------------|---------|---|-----|-------|---------------|
| DRAWING NO. | FWB1951-J | PIN MATERIAL | CP WIRE | UNIT | m/m | REV | A |
| TOLERANCE OF PIN PITCH ± 0.20 | | | | HAINING FERRIWO ELECTRONICS CO.,LTD. | | | |
| PIN TENSION LOAD kg MN | | UL REC: 94V-0 | | TEL: +86-573-87088701 FAX: +86-573-87081130 | | | |
| TOLERANCE: 0<L≤4: ±0.2 4<L≤16: ±0.3 16<L≤63: ±0.4 | | | | Web: www.ferriwo.com Email: sales@ferriwo.com | | | |